

## 52 Low Profile Miniature Captive Screws

Miniature low profile series - Press-in style



### Features

- Low profile for limited space application
- Heat treated steel screw for optimum strength
- Designate access points with colour
- Colour match captive screws to your industrial design

### Installation Notes

- For use in most aluminium or low carbon steels that are 1/4 hard or softer

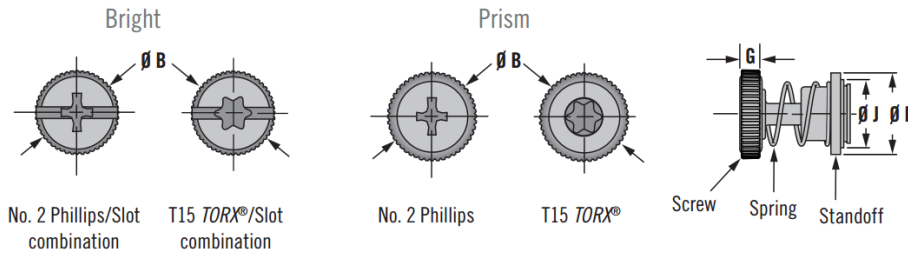
### Material

- Screw: Hardened carbon steel, zinc plated, chromate, plus sealer
- Spring: 300 series stainless steel, passivated
- Standoff: Carbon steel, zinc plated, chromate, plus sealer
- Prism: PC/ABC

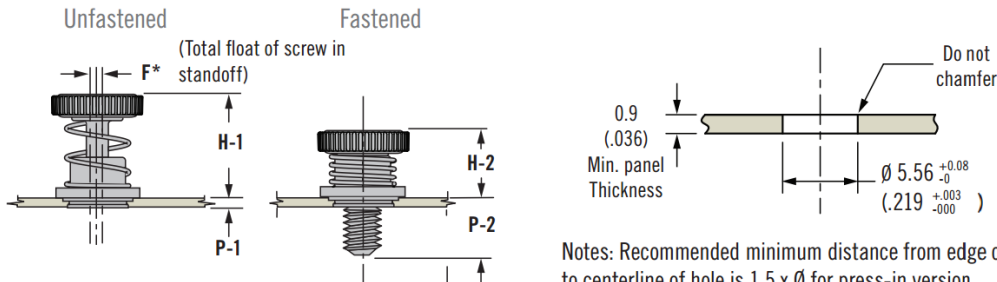
### Product Performance

- Flammability rating: UL94-VO

### Recess Styles

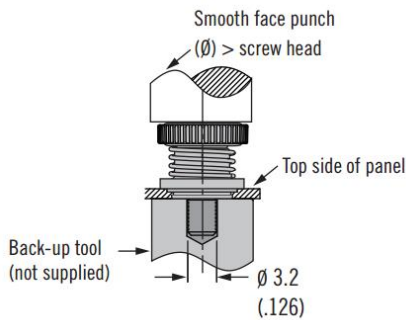


### Knob Height and Screw Projection



Notes: Recommended minimum distance from edge of panel to centerline of hole is 1.5 x  $\phi$  for press-in version.

F\* - Value represents float in unfastened position  
Notes: P-1, P-2 measured from the top side of panel



**Specifying Color:** To indicate color, change the last three digits of the part number  
**Example:** 52-A11-51-4-000 Black, 52-A11-51-4-013 Red

southco®

Color/ Appearance	Thread Size	Part Number						H-1	H-2	P-1	P-2	$\phi$ J	$\phi$ E	G	F*
		Knurled Head			Smooth Head										
		Phillips / Slotted	TORX®/ Slotted	$\phi$ B	Phillips / Slotted	TORX®/ Slotted	$\phi$ B								
Bright	4-40	52-A19-51-4	52-A17-51-4	7	52-A1A-51-4	52-A18-51-4	6.75	9	6	0.9	3.9	6.35	7.6	1.7	0.5
	M3 x 0.5	52-A39-51-4	52-A37-51-4	(.28)	52-A3A-51-4	52-A38-51-4	(.27)	(.36)	(.24)	(.04)	(.17)	(.25)	(.3)	(.07)	(.02)
		Phillips	TORX®	$\phi$ B	Phillips	TORX®	$\phi$ B								
Prism (black shown)	4-40	52-A11-51-4-000	52-A15-51-4-000	8.1	52-A13-51-4-000	52-A16-51-4-000	7.8	9.5	6.2	0.9	3.9	6.35	7.6	2.2	0.5
	M3 x 0.5	52-A31-51-4-000	52-A35-51-4-000	(.32)	52-A33-51-4-000	52-A36-51-4-000	(.31)	(.37)	(.26)	(.04)	(.17)	(.25)	(.3)	(.09)	(.02)

## 52 Low Profile Miniature Captive Screws

Miniature low profile series - Surface Mount Technology (SMT) style



### Features

- For installation to PC Board material utilizing surface mount technology
- Heat treated steel screw for optimum strength
- Designate access points with colour
- Colour match captive screws to your industrial design

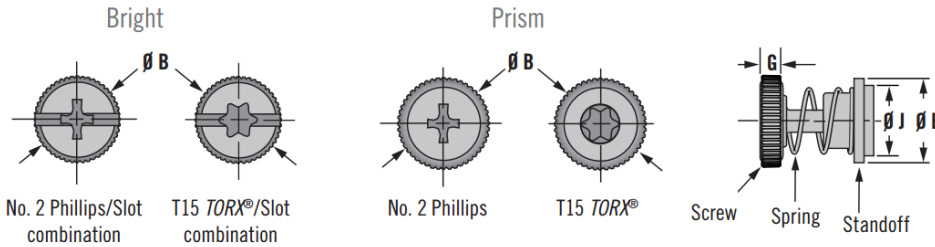
### Material

- Screw: Hardened carbon steel, zinc plated, chromate, plus sealer
- Spring: 300 series stainless steel, passivated
- Standoff: Carbon steel, tin plated, chromate, plus sealer
- Prism: High heat resistant plastic

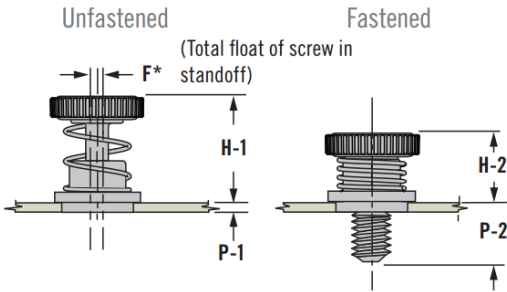
### Product Performance

- Flammability rating: UL94-VO

### Recess Styles

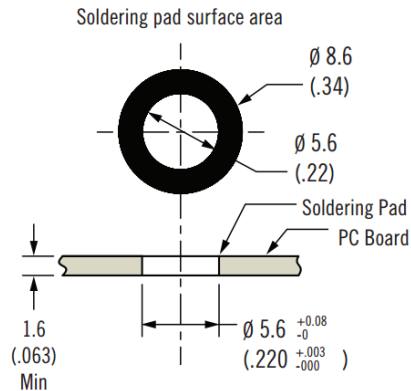


### Knob Height and Screw Projection

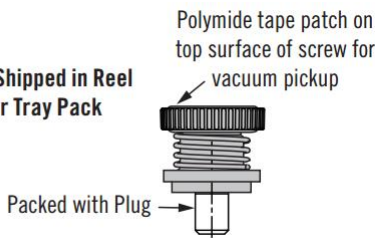


F\* Value represents float in unfastened position  
Notes: P-1, P-2 measured from the top side of panel

### PC Board Preparation



### Screw as Shipped in Reel Pack or Tray Pack



**Specifying Color:** To indicate color, change the last three digits of the part number

**Example:** 52-SM-A1111-K000-R, 52-SM-A1111-K013-R

southco<sup>®</sup>

Color/ Appearance	Thread Size	Part Number						H-1	H-2	P-1	P-2	Ø J	Ø E	G	F*
		Knurled Head			Smooth Head										
		Phillips / Slotted	TORX <sup>®</sup> / Slotted	Ø B	Phillips / Slotted	TORX <sup>®</sup> / Slotted	Ø B								
Bright	4-40	52-SM-A1311-K-R	52-SM-A1411-K-R	7	52-SM-A1311-N-R	52-SM-A1411-N-R	6.75	8.4	5.4	1.5	4.5	5.5	7.6	1.7	0.5
	M3 x 0.5	52-SM-A3311-K-R	52-SM-A3411-K-R	(.28)	52-SM-A3311-N-R	52-SM-A3411-N-R	(.27)	(.33)	(.21)	(.06)	(.18)	(.22)	(.3)	(.07)	(.02)
		Phillips	TORX <sup>®</sup>	Ø B	Phillips	TORX <sup>®</sup>	Ø B								
Prism (black shown)	4-40	52-SM-A1111-K000-R	52-SM-A1211-K000-R	8.1	52-SM-A1111-N000-R	52-SM-A1211-N000-R	7.8	8.9	5.9	1.5	4.5	5.5	7.6	2.2	0.5
	M3 x 0.5	52-SM-A3111-K000-R	52-SM-A3211-K000-R	(.32)	52-SM-A3111-N000-R	52-SM-A3211-N000-R	(.31)	(.35)	(.23)	(.06)	(.18)	(.22)	(.3)	(.09)	(.02)